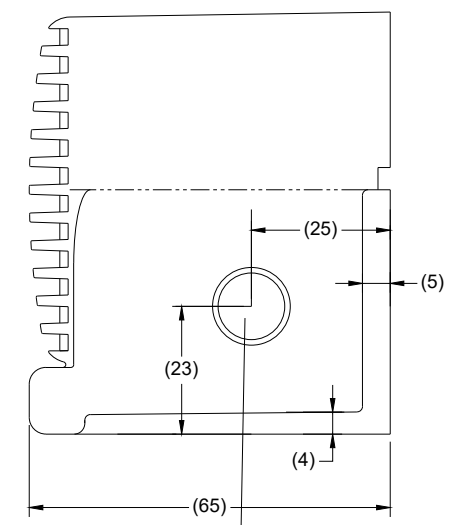
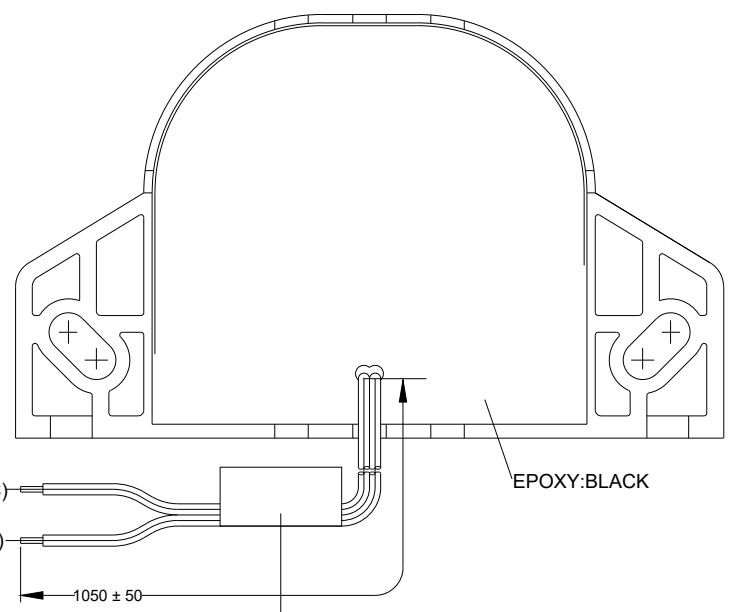
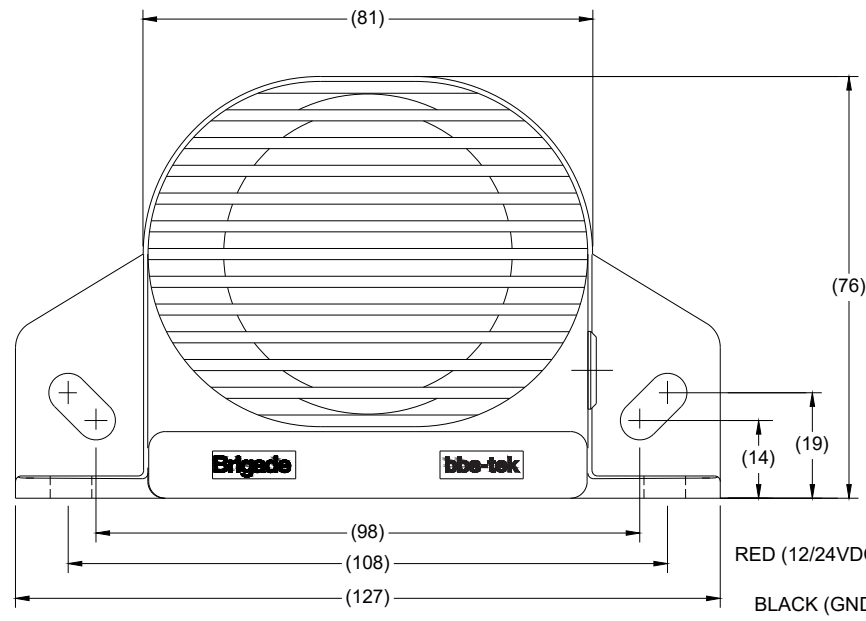
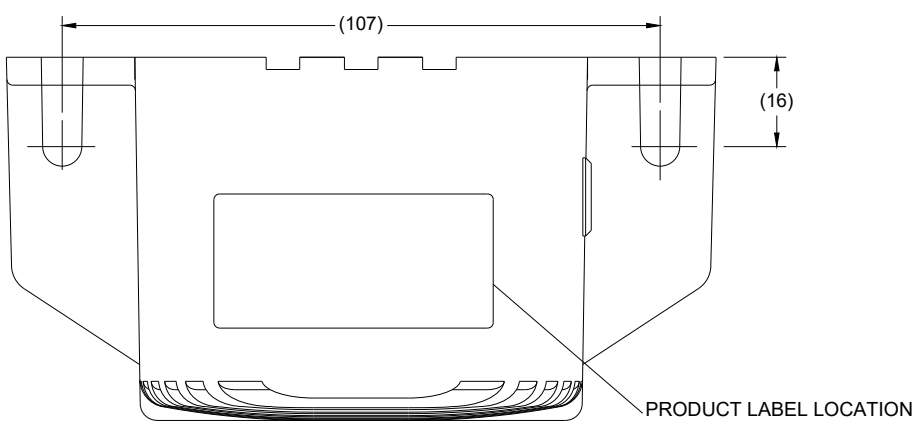


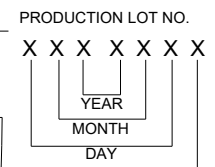
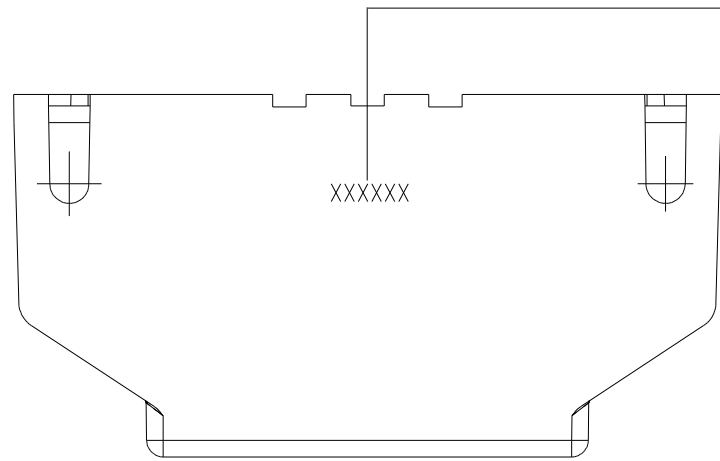
Revision Notes				
R1 -				
APA: -	Drawn: -	Checked: -	Approved: -	Date: -



MICROPHONE



PRODUCT LABEL LOCATION



E= EUROPE
U= USA
A= AUSTRALIA

- NOTES:**
1. FINISH IS BLACK
 2. MATERIAL : PA6
 3. FOR LABEL AND PACKAGING DETAILS REFER TO MASTER BOM.
 4. ANY CUSTOMER MODIFICATION OF THIS PRODUCT CAUSING SUBSEQUENT FAILURE IS NOT A LIABILITY OF BRIGADE ELECTRONICS PLC.

PROPRIETARY NOTICE
THIS DESIGN AND TECHNICAL INFORMATION APPEARING ON THIS DRAWING IS THE PROPERTY OF BRIGADE ELECTRONICS, AND IS DISCLOSED IN CONFIDENCE. IT IS NOT TO BE COPIED, REPRODUCED, REVEALED TO OR EXPROPRIATED BY OTHERS, EITHER IN WHOLE OR IN PART WITHOUT THE EXPRESS WRITTEN CONSENT OF BRIGADE ELECTRONICS.

Sheet 1 of 1	Assembly PI Approval W. FUKUZAWA	Approved by A. KEBEDE	Checked by L. CHEUNG	Drawn by E. MATHEW
Customer Approval N/A	Angle of Projection 	Units mm	Scale N/A	Released 12/02/2026
Status RELEASED		Assembly Ref SA-BBS-97		
Part No 1399B		BE-005080-00-25		

